

reka
LUX

iU Series

LED UFO High Bay Light



Overview

- ✓ UFO style design, a perfect solution of high/low bay lighting;
- ✓ Simple but easy to install;
- ✓ Hot cellular effects heat dissipation structure;
- ✓ Average temperature rising $<30^{\circ}\text{C}$;
- ✓ Luminous efficacy up to 120lm/w , lifespan $>50,000$ hours;
- ✓ 5 Years Warranty.



MeanWell HBG Series Driver



UFO Style Design
Perfect Solution for High/Low Bay Lighting

Hot Cellular Effects
Heat Dissipation Structure
Temperature Rising $>30^{\circ}\text{C}$



Optional Beam Angle:
 $60^{\circ}, 90^{\circ}, 120^{\circ}$

Philips Lumileds Luxeon 3030 chip



100WiU

LED Round High Light, 300W HPS/MH Replacement



New



1-10V / PWM / Resistance dimming optional

Specifications

Electrical Specifications

Model No.	100WiU
Nominal Wattage	100W
Nominal Voltage	90-305VAC, 50/60Hz

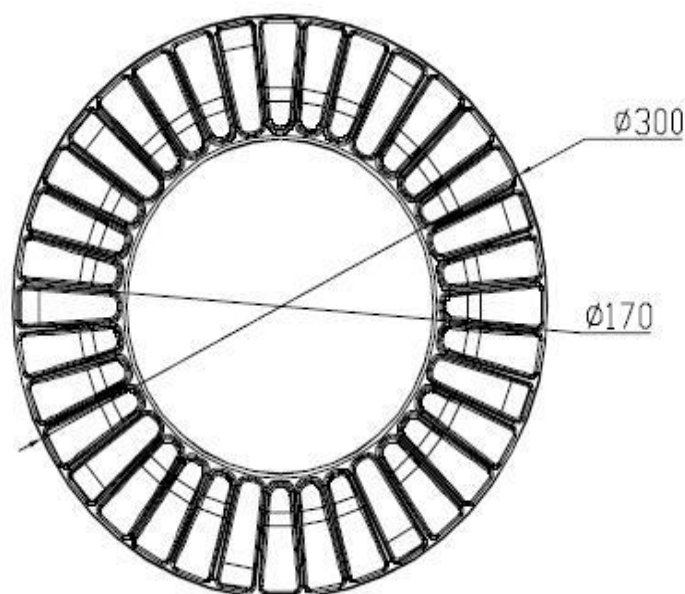
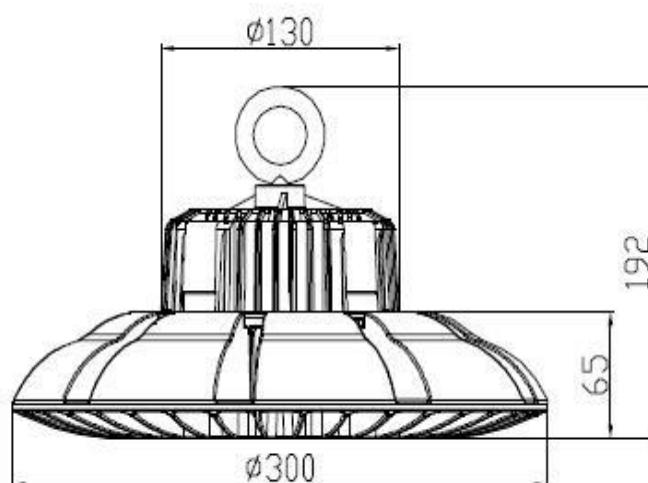
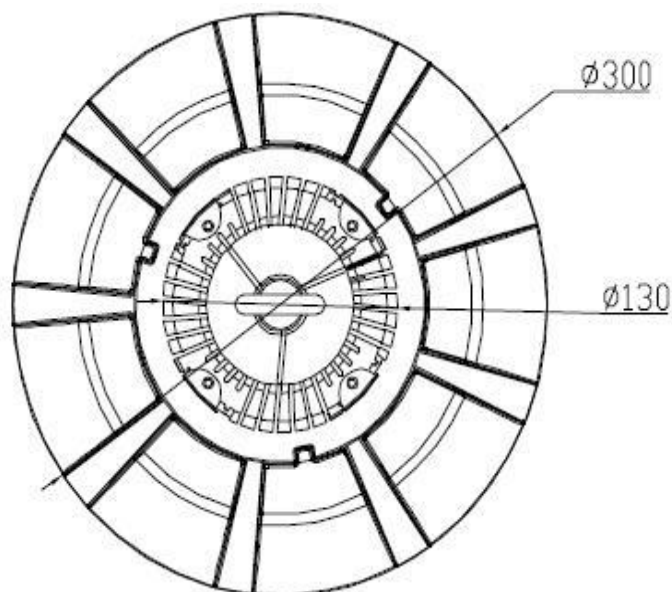
Power Factor (PF)	>0.95
Driver Efficiency	>92%

Photometric Specifications

Luminous Flux	+Lumen tolerance +/- 5%
	12,800lm
CRI	Ra>70
CCT	3000-6500K
Optional Beam Angle	60°, 90°, 120°

Mechanical Specifications

IP&IK Rating	IP65 & IK08
Lifetime	50000 hours - L70, @25°C
Heat Radiator	Anodized Aluminum
Lens	PC
Fixture Dimension	Φ300*H192mm
	Φ11.8*H7.56inches
Net Weight	4.2kg
Carton Dimension	360*360*252mm
Gross Weight	4.5kg



120WiU

LED Round High Light, 360W HPS/MH Replacement



New



1-10V / PWM / Resistance dimming optional

Specifications

Electrical Specifications

Model No.	120WiU
Nominal Wattage	120W
Nominal Voltage	90-305VAC, 50/60Hz

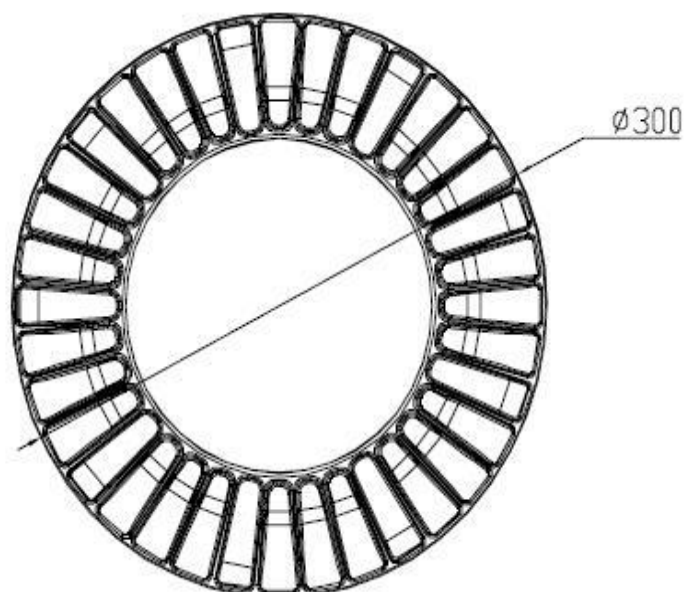
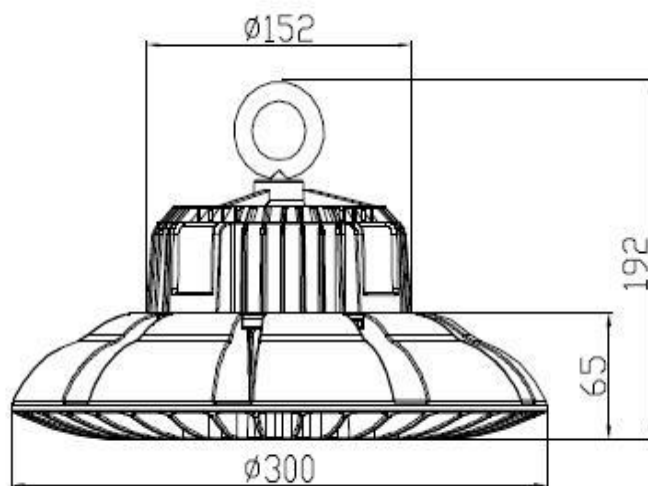
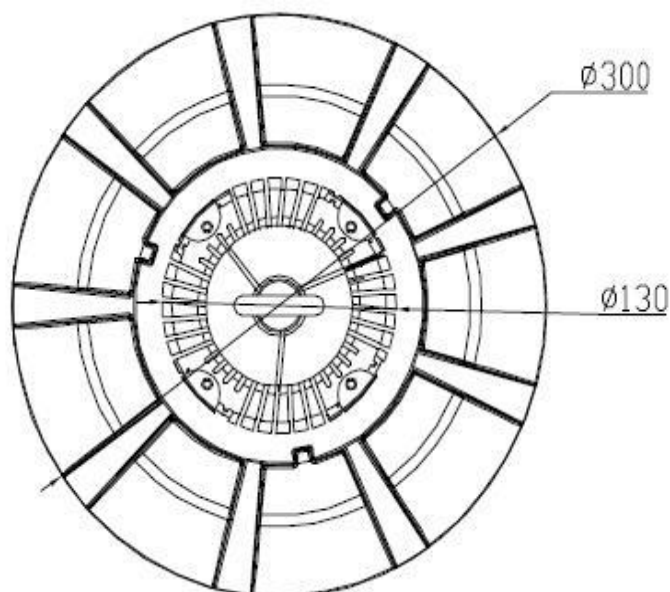
Power Factor (PF)	>0.95
Driver Efficiency	>93%

Photometric Specifications

Luminous Flux	+Lumen tolerance +/- 5%
	14,400lm
CRI	Ra>70
CCT	3000-6500K
Optional Beam Angle	60°, 90°, 120°

Mechanical Specifications

IP&IK Rating	IP65 & IK08
Lifetime	50000 hours - L70, @25°C
Heat Radiator	Anodized Aluminum
Lens	PC
Fixture Dimension	Φ380*H206 mm
	Φ15*H8.1 inches
Net Weight	4.6kg
Carton Dimension	360*360*252mm
Gross Weight	4.9kg



150WiU

LED Round High Light, 450W HPS/MH Replacement



New



1-10V / PWM / Resistance dimming optional

Specifications

Electrical Specifications

Model No.	150WiU
Nominal Wattage	150W
Nominal Voltage	90-305VAC, 50/60Hz

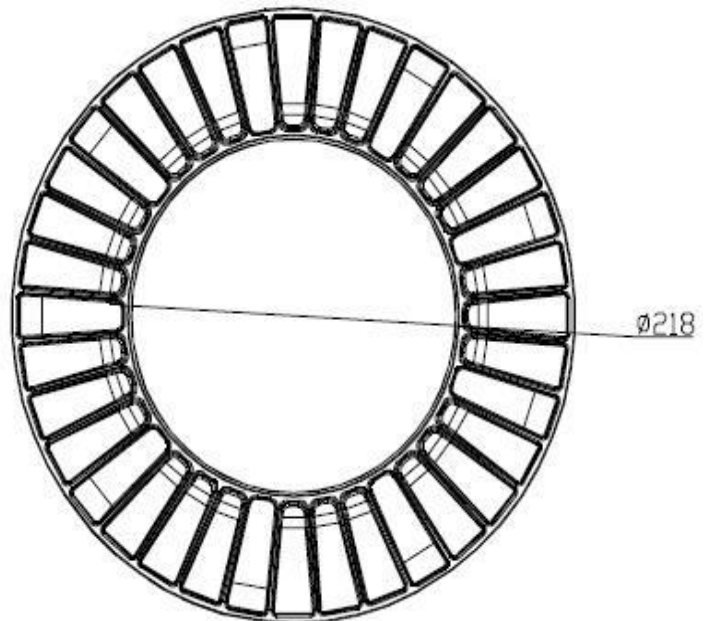
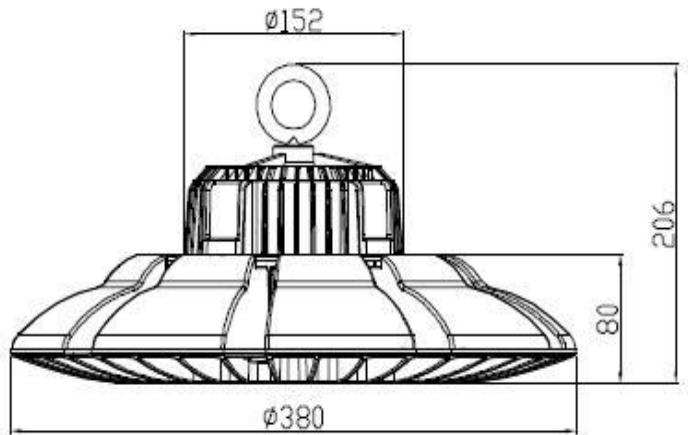
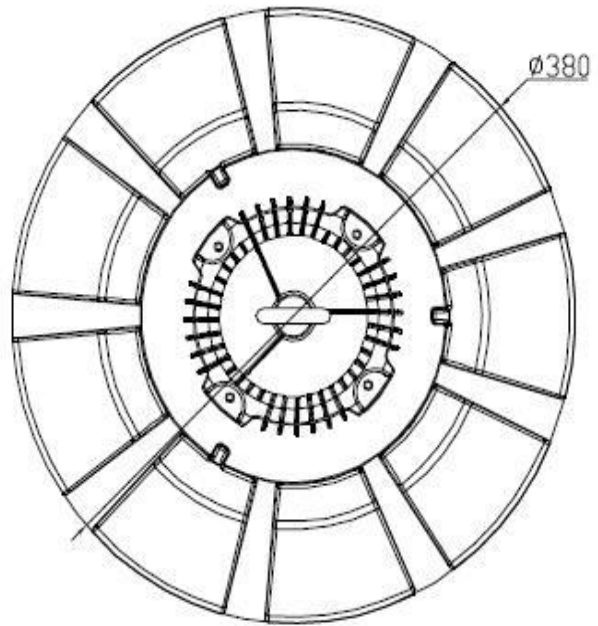
Power Factor (PF)	>0.95
Driver Efficiency	>93%

Photometric Specifications

Luminous Flux	+Lumen tolerance +/- 5%
	19,500lm
CRI	Ra>70
CCT	3000-6500K
Optional Beam Angle	60°, 90°, 120°

Mechanical Specifications

IP&IK Rating	IP65 & IK08
Lifetime	50000 hours - L70, @25°C
Heat Radiator	Anodized Aluminum
Lens	PC
Fixture Dimension	Φ380*H206 mm
	Φ15*H8.1 inches
Net Weight	6.8kg
Carton Dimension	440*440*207 mm
Gross Weight	7.3kg



200WiU

LED Round High Light, 600W HPS/MH Replacement



1-10V / PWM / Resistance dimming optional

Specifications

Electrical Specifications

Model No.	200WiU
Nominal Wattage	200W
Nominal Voltage	90-305VAC, 50/60Hz

Power Factor (PF)	>0.95
Driver Efficiency	>93%

Photometric Specifications

Luminous Flux	+Lumen tolerance +/- 5%
	25,000lm
CRI	Ra>70
CCT	3000-6500K
Optional Beam Angle	60°, 90°, 120°

Mechanical Specifications

IP&IK Rating	IP65 & IK08
Lifetime	50000 hours - L70, @25°C
Heat Radiator	Anodized Aluminum
Lens	PC
Fixture Dimension	Φ380*H210mm
	Φ15*H8.27 inches
Net Weight	7.5kg
Carton Dimension	440*440*270 mm
Gross Weight	8.1kg

